



# ГАЛИАНА

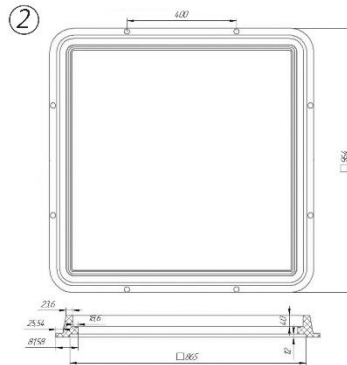
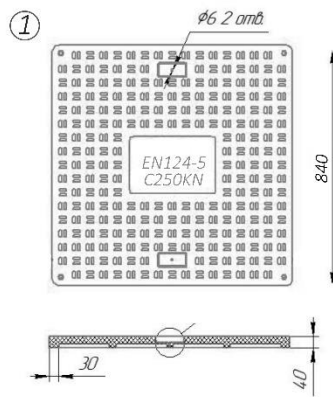
...без езикови бариери!!!

Translation from Bulgarian

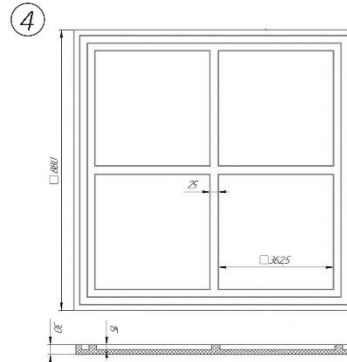
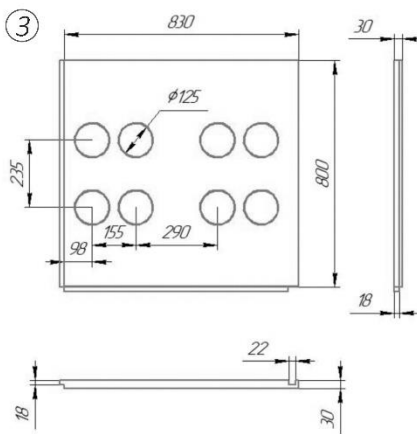
## Technical Specifications

### Chamber

RCHC-800-800-800




**RECO**  
PRODUCTION LTD



<b>RECO PRODUCTION LTD</b>		
1. MANHOLE COVER	CABLE	
2. BOTTOM	CHAMBER B-125	
3. WALLS	RCHC 800x800x800	
4. FRAME	EN 13598-1	





Description	Chamber
Product code	<b>RCHC-800-800-800</b>
Standard	According to <b>EN 13598-1/EN124-5</b>
Manufacturer	<b>RECO PRODUCTION LTD</b>
Features	Waterproof walls
	Recyclable 
	Several inspection openings with load class B125 and C250 according to standard EN124-5 can be used
Used materials	Composite material - polyethylene and additives
Weight	120 kg
Colour	Dark gray
Application	For electrical and fiber optic networks and cables
Advantages	Material with high wear resistance
	Waterproof
	Modular system easy to assemble in 1 minute
	Complete solution (bottom, walls, frame, cover)

*I, the undersigned Galina Stoyanova, hereby certify that to the best of my knowledge this is a true and accurate translation from Bulgarian into English of the attached document. The translation consists of 2/two/ pages.*

Galina Tosheva Ancheva-Stoyanova

